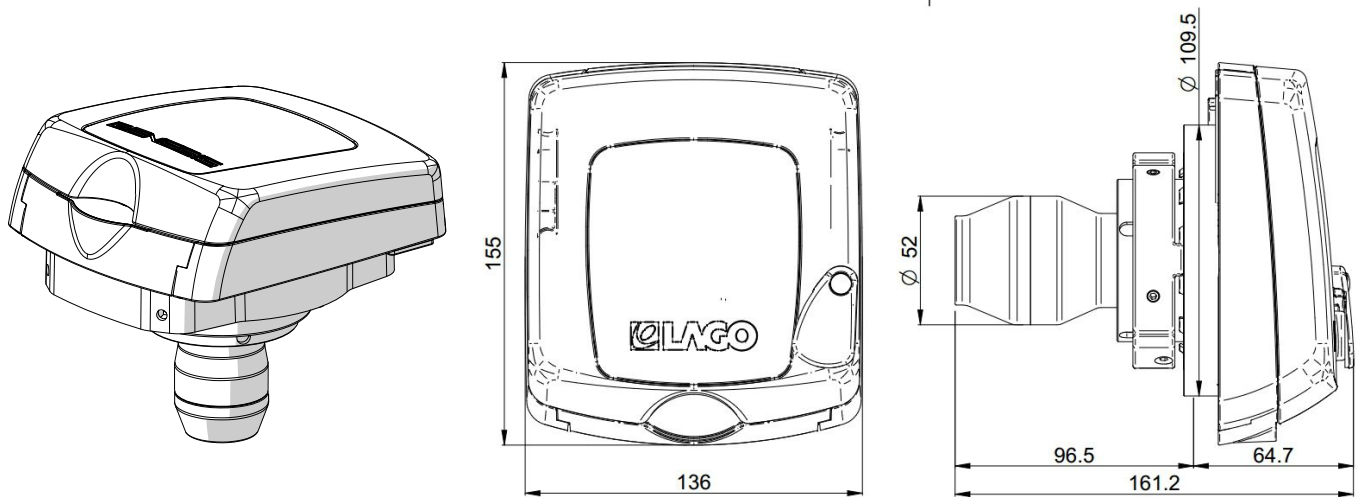


ZIPPER PLUS M2 105 XL WIRED

Self closing ventilated fuel cap with built in Kockon XL anti siphon device featuring extra short, swing action barrel for extra low profile applications, quick mounting system and solid alloy body. Features quick mount 105mm bayonet, locking cap, a built in electronic activation switch and wire connection which can be used to trigger events upon fuel cap opening. This combination is available only when bought in conjunction with FUEL CONTROLLER.

For tanks with 2-point bayonet opening $\varnothing 105$ mm. -DAF: all models -MAN: all models -VOLVO: all models -MERCEDES: all models -IVECO: Stralis, EuroStar, EuroTec, Trakker, EuroTrakker, EuroCargo with metal fuel tanks -RENAULT: Premium, Magnum, Midlum with metal fuel tanks -DOOSAN plant machinery BI2P -LIEBHERR excavators, mod. 2926 - 2916 - 2914



CODE	DESCRIPTION
824518010	ZIPPER PLUS M2 105 XL WIRED

TECHNICAL DATA

ACCESSORIES

code	item	description	qty
061020001	Fuel Pistol with 32mm nozzle	Manufactured by ZVA with 120 Lt/min flow capacity	

SPARE PARTS

code	item	description	qty
050707011	GASKET KOCKON 105 UNIVERSAL	Mounting seal 105	
584500002	M2 ADAPTER FOR 25MM DIA. FUEL NOZZLE	M2 Adapter for nozzle $\varnothing 25$ mm.	