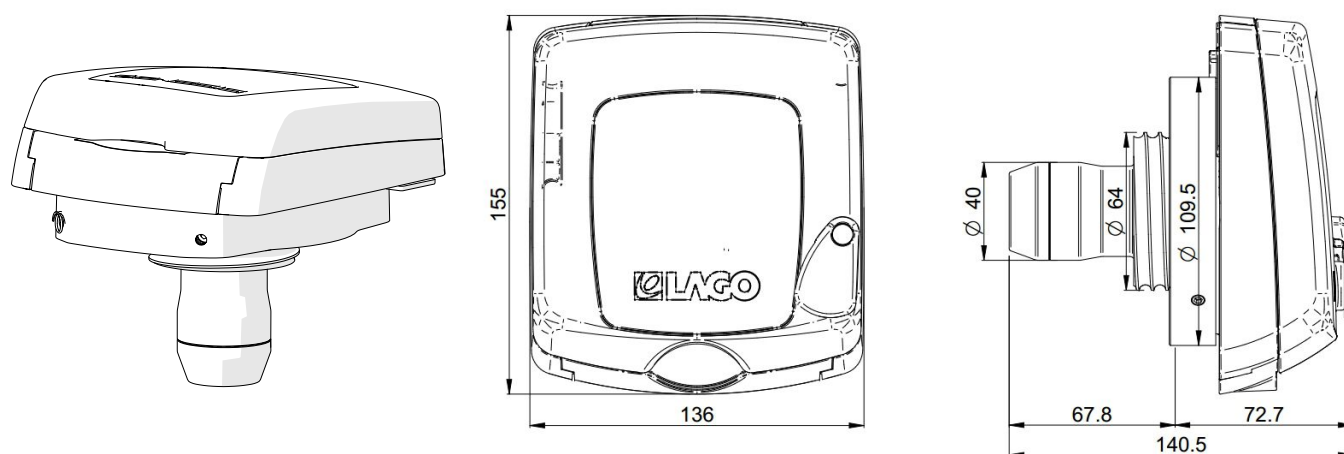


## ZIPPER PLUS M2 80 XL WIRED

Self closing ventilated fuel cap with built in Kockon XL anti siphon device featuring extra short, swing action barrel for extra low profile applications, quick mounting system and solid alloy body. Features quick mount 80mm thread, locking cap, a built in electronic activation switch and wire connection which can be used to trigger events upon fuel cap opening. This combination is available only when bought in conjunction with FUEL CONTROLLER.

For tanks with inner threaded opening  $\varnothing 80$  mm. SCANIA: all models JOHN DEERE: 5000-6000 MASSEY FERGUSON: 4292 hd



CODE	DESCRIPTION
824518011	ZIPPER PLUS M2 80 XL WIRED

### TECHNICAL DATA

#### ACCESSORIES

code	item	description	qty
051001122	Antireflux valve extraction tool for Scania tanks	Tool needed to extract the valve which is lodged in the tank neck before fitting anti siphon device to tank	
061020001	Fuel Pistol with 32mm nozzle	Manufactured by ZVA with 120 Lt/min flow capacity	

#### SPARE PARTS

code	item	description	qty
050707014	GASKET SCANIA 80 & 85 MODEL KOCKONS	Mounting seal Scania/85	
584500002	M2 ADAPTER FOR 25MM DIA. FUEL NOZZLE	M2 Adapter for nozzle $\varnothing 25$ mm.	