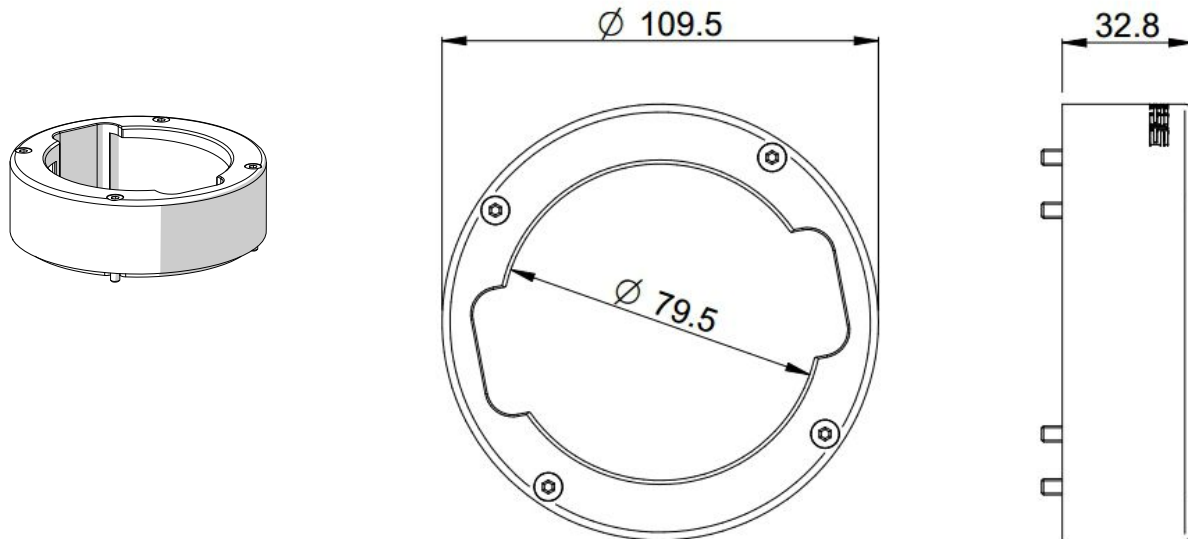


UNI-CAP KIT FOR M2 BASE MODULE

Upgrade kit for Kockon Mach II base modules. Consists of an aluminium high profile cap mounting ring and o ring seal for seating onto the upper plate of the Kockon base module. Made to allow use of the majority of original vehicle fuel caps which would normally not fit on Mach II Kockons due to their height.

Fits all MACH II base module Kockons. Upgrade can be executed without proprietary tools by the end user.



CODE	DESCRIPTION
784515101	UNI-CAP KIT FOR M2 BASE MODULE

TECHNICAL DATA

SPECIFICATIONS

Main body material	Aluminium
Gasket material	SBR Rubber
Finishing	Black Anodized
Weight	0,282 g

PACKAGING

Package type	Carton Box
Package dimensions (cm)	
Multipack	
Multipack dimensions (cm)	

SPARE PARTS

code	item	description	qty
050920001	REPLACEMENT FUEL CAP 105 BAYONET	Locking Cap for 105 bayonet mounts.	1