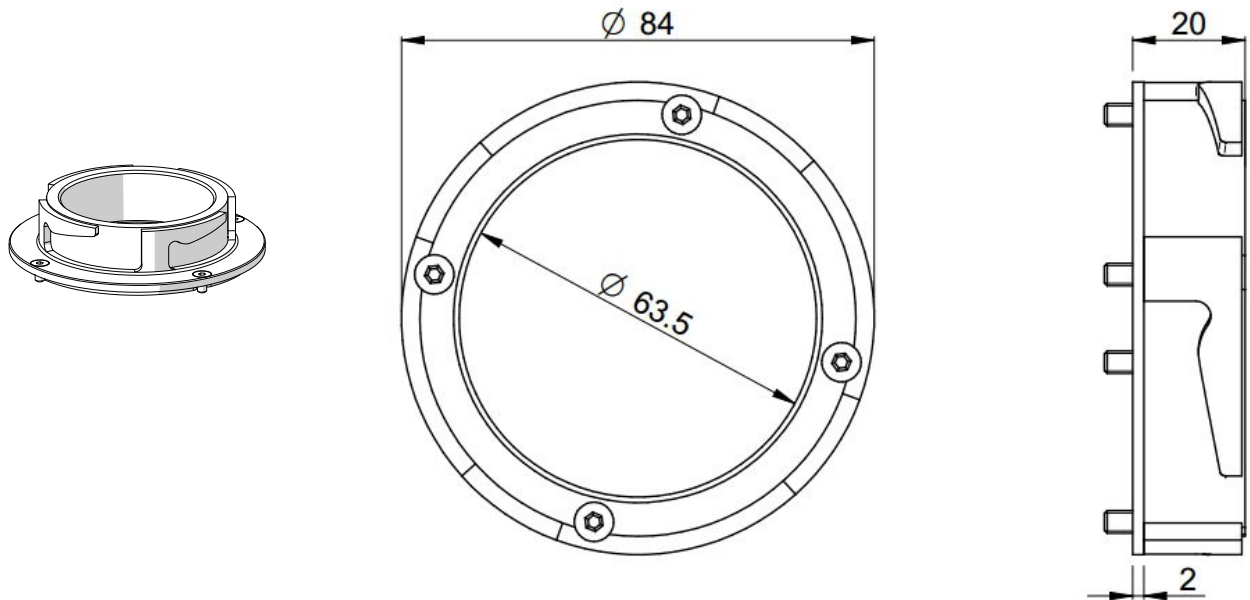


BE4P KIT FOR M2 BASE MODULE

Upgrade Kit which fits on Kockon Mach II base module. The kit is composed of an aluminium 4 point bayonet cap mounting ring which fixes using 4 screws (supplied with kit) and an o-ring which seats the cap mounting ring onto the upper plate of the Kockon. It allows use of the original die cast bayonet cap.



CODE	DESCRIPTION
784516200	BE4P KIT FOR M2 BASE MODULE

TECHNICAL DATA

SPECIFICATIONS

Main body material	Aluminium
Gasket material	SBR Rubber
Finishing	Black Anodized
Weight	0,091 kg

PACKAGING

Package type	Carton Box
Package dimensions (cm)	
Multipack	
Multipack dimensions (cm)	