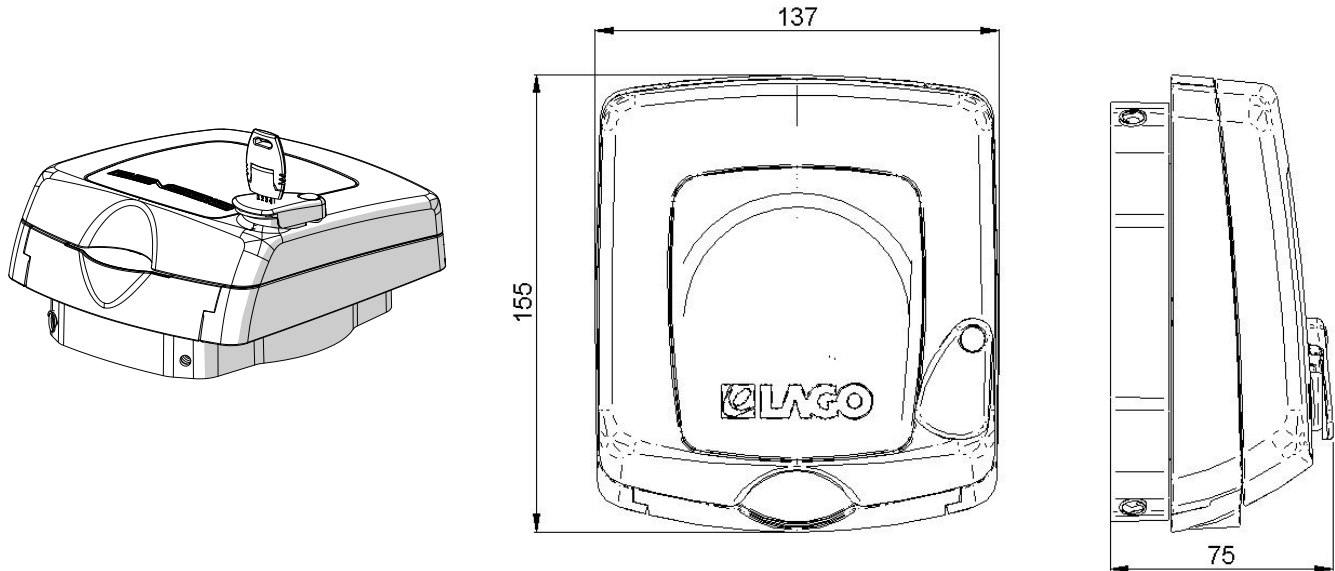


ZIP LOCK SAFETY CAP UPGRADE KIT

Upgrade kit for Kockon Mach II base modules. Consists of a self closing ventilated fuel cap with lock which can be fitted through a rapid mounting procedure by the end user without having to remove the Kockon from its installed position.

Fits all MACH II base module Kockons produced from 07/2015. Upgrade can be executed without proprietary tools by the end user.



CODE	DESCRIPTION
786010011	ZIP LOCK SAFETY CAP UPGRADE KIT

TECHNICAL DATA

SPECIFICATIONS

Main body material	POM Acetalic Resin
Gasket material	NBR Rubber
Weight	590 g

PACKAGING

Package type	Carton box
Package dimensions (cm)	150x160x90
Multipack	12 pcs in master carton box
Multipack dimensions (cm)	390x260x330 mm