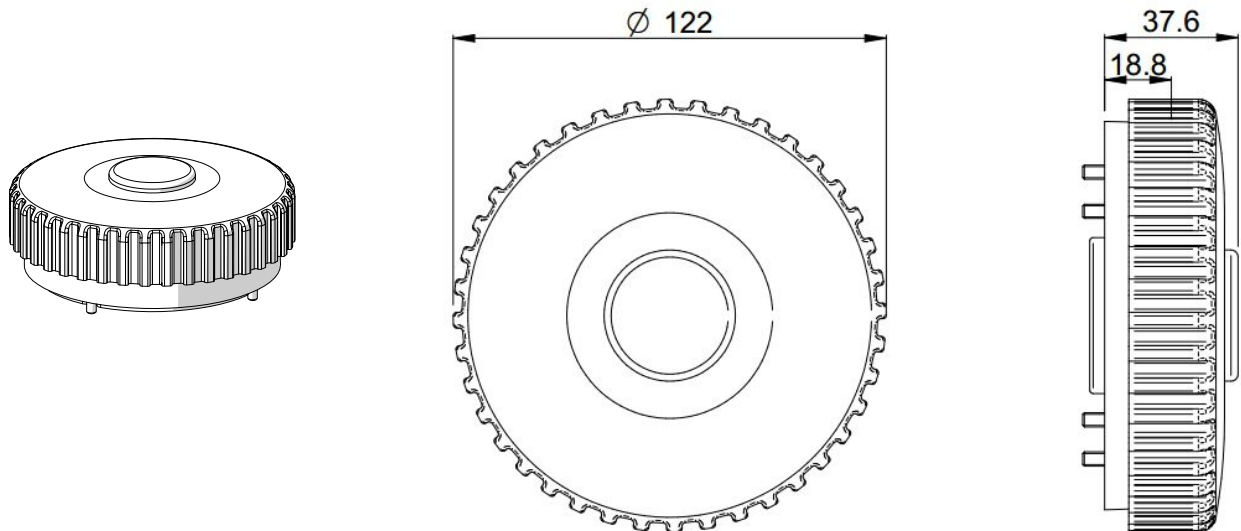


PL-CAP KIT FOR M2 BASE MODULE

Upgrade Kit which fits on Kockon Mach II base module. The kit is composed of an acetalic resin cap mounting ring which fixes using 4 screws (supplied with kit) and an o-ring which seats the cap mounting ring onto the upper plate of the Kockon. Includes a low profile locking cap with 105 type 2 point bayonet mount and bunjee chain allowing cap to dangle when open.

Fits all MACH II base module Kockons. Upgrade can be executed without proprietary tools by the end user.



CODE	DESCRIPTION
786015100	PL-CAP KIT FOR M2 BASE MODULE

TECHNICAL DATA

SPECIFICATIONS

Main body material	POM Acetalic Resin
Cage/float/filter material	Acetalic resin and Polyethylene LD, suitable for immersion in the fuel
Gasket material	NBR Rubber
Weight	0.396 Kg

PACKAGING

Package type	Carton Box
Package dimensions (cm)	
Package contents	Fuel cap, screws, seal and instructions
Multipack	
Multipack dimensions (cm)	

SPARE PARTS

code	item	description	qty
050920001	REPLACEMENT FUEL CAP 105 BAYONET	Locking Cap for 105 bayonet mounts.	