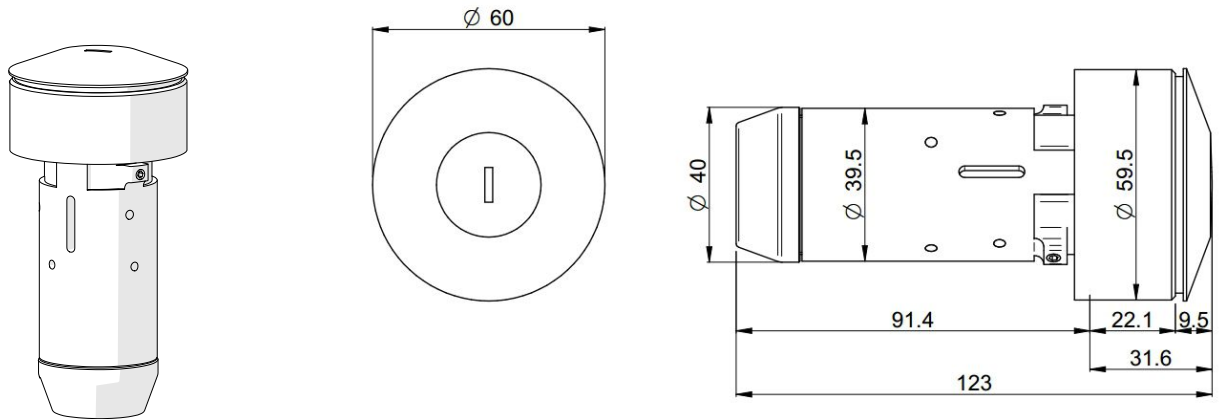


KOCKON VX SPRINTER/CRAFTER

Kockon Mach II for vans / commercial vehicles.

MB: SPRINTER VW: CRAFTER MAN: TGE



CODE	DESCRIPTION
824513010	KOCKON VX SPRINTER/CRAFTER

TECHNICAL DATA

SPECIFICATIONS

Main body material	Aluminium
Cage/float/filter material	Acetalic resin and Polyethylene LD, suitable for immersion in the fuel
Gasket material	HNBR, suitable for immersion in the fuel
Finishing	Black Anodized
Weight	361 g
Fuel Flow Rate (lt/min)	60

PACKAGING

Assembly	The product is supplied ready to use
Package type	Carton box
Package dimensions (cm)	7x8x15
Package contents	Anti theft device, lid, multilanguage manual
Multipack	
Multipack dimensions (cm)	

ACCESSORIES

code	item	description	qty
054501012	GENESIS UNIVERSAL MOUNTING TOOL	Tool to assist installation of Kockon products	