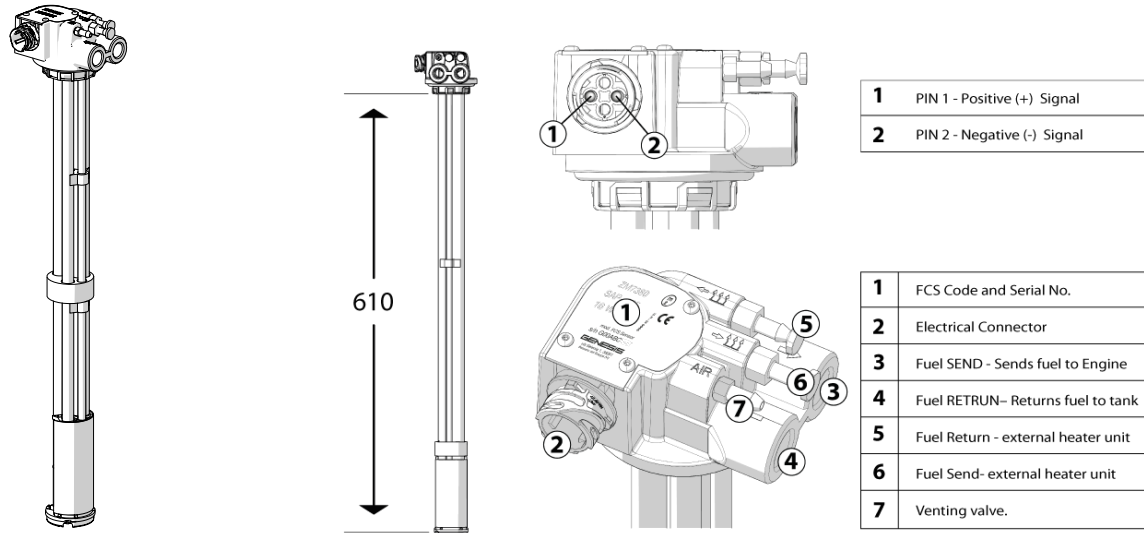


FCS SAP 610

Fuel Controller Sensor 610mm length. High-precision fuel sensor that is easily installed, and more importantly, does not require structural nor electrical modifications since it simply replaces the vehicle's original sensor. FUEL CONTROLLER sensors use a dedicated electronic control unit, the Data Hub.

Recommended applications: DAF, MAN.



1	PIN 1 - Positive (+) Signal
2	PIN 2 - Negative (-) Signal

1	FCS Code and Serial No.
2	Electrical Connector
3	Fuel SEND - Sends fuel to Engine
4	Fuel RETRUN - Returns fuel to tank
5	Fuel Return - external heater unit
6	Fuel Send- external heater unit
7	Venting valve.

CODE	DESCRIPTION
214520610	FCS SAP 610

TECHNICAL DATA

SPECIFICATIONS

Main body material	Alluminium tubes with die cast head and enclosed encapsulated PCB.
Dimensions	670x90x90 (mm)
Cage/float/filter material	Acetalic Resin
General Specifications	Capacitive sensor based on dielectric constant of Automotive diesel. No moving parts, completely static. Dedicated to Fuel Controller Data HUB. Operating Temperature -40°C to 85°C. Includes temperature and inclinometer/accelerometer sensors.
Gasket material	Witon
Finishing	Anodized and powder coated
Weight	850g

REGULATIONS

Reference standard	ECE R10-05
--------------------	------------

PACKAGING

Assembly	Sensor + Filter assembly
Package type	Carton Box
Package dimensions (cm)	800x110x100 (mm)
Package contents	1 pc in carton box
Multipack	Sensor, electrical connector, instructions
Power	Powered by FC Hub
Resolution / Bitrate	8 Bit CPU, 10 Bit resolution (1024 points)
Output	Dedicated FuelController protocol to Data Hub

FCS SAP 610

ACCESSORIES

code	item	description	qty
070819004	FCS FITTINGS KIT FOR TWIN TANK VEHICLES - IVECO	FITTING KIT FOR SPECIFIC APPLICATION WHEN USING FCS SENSOR	1
070819003	FITTINGS KIT FOR FCS SENSOR - IVECO	FITTING KIT FOR SPECIFIC APPLICATION WHEN USING FCS SENSOR	1
070819001	STANDARD FITTINGS KIT	FITTING KIT FOR SPECIFIC APPLICATION WHEN USING FCS SENSOR	1
070819002	QUICK CONNECT FITTINGS KIT	FITTING KIT FOR SPECIFIC APPLICATION WHEN USING FCS SENSOR	1
070819005	UNIVERSAL FCS SENSOR FITTING TERMINATOR KIT	FITTING KIT FOR SPECIFIC APPLICATION WHEN USING FCS SENSOR	1
070819006	TWIN TANK FITTINGS KIT FOR FCS - SCANIA	FITTING KIT FOR SPECIFIC APPLICATION WHEN USING FCS SENSOR	1
070819007	FCS FITTINGS KIT - SCANIA RETROFIT	FITTING KIT FOR SPECIFIC APPLICATION WHEN USING FCS SENSOR	1
070819008	FCS FITTINGS KITS FOR MAIN TANK - VOLVO and RENAULT	FITTING KIT FOR SPECIFIC APPLICATION WHEN USING FCS SENSOR	1
070819009	FCS FITTINGS KITS FOR SECONDARY TANK - VOLVO and RENAULT	FITTING KIT FOR SPECIFIC APPLICATION WHEN USING FCS SENSOR	1
070819010	FITTINGS KIT FOR FCS SENSOR - MERCEDES and MAN	FITTING KIT FOR SPECIFIC APPLICATION WHEN USING FCS SENSOR	1
070819011	FCS FITTING KIT FOR 12mm and 10mm FUEL LINES	FITTING KIT FOR SPECIFIC APPLICATION WHEN USING FCS SENSOR	1
070819012	FCS TWIN TANK FITTING KIT FOR 12mm and 10mm FUEL LINES	FITTING KIT FOR SPECIFIC APPLICATION WHEN USING FCS SENSOR	1
070819013	FCS FITTINGS KIT - VOLVO RETROFIT pre 2005	FITTING KIT FOR SPECIFIC APPLICATION WHEN USING FCS SENSOR	1

SPARE PARTS

code	item	description	qty
050717002	OR 2021 VITON (FKM) 5,28x1,78 BLACK	O-Ring for FCS Sensor Fitting	
050717003	OR 2056 VITON (FKM) 14x1,78 BLACK	Accessory for fitting for coupling fuel lines with FCS Sensors	
050817001	DAF / IVECO COUPLING M14	Fitting for coupling fuel lines with FCS Sensors	
050817002	WEBASTO COUPLING M8	Fitting for coupling webasto auxiliary heater fuel line with FCS Sensors	
050817003	NIPLESS COUPLING M6/M8	Fitting for coupling fuel lines with FCS Sensors	
050817004	NIPLESS COUPLING M14/M16	Fitting for coupling fuel lines with FCS Sensors	
050817005	NIPLESS ADAPTER M14/M16 F/M - VOLVO	Fitting for coupling fuel lines with FCS Sensors	
050817006	NIPLESS ADAPTER M14/M18 F/M - VOLVO	Fitting for coupling fuel lines with FCS Sensors	
050817007	NIPLESS COUPLING M14/M18 F/M	Fitting for coupling fuel lines with FCS Sensors	
050817011	COUPLING M14 / J 2044-1	Fitting for coupling fuel lines with FCS Sensors	
050817012	SOCKET M14 J 2044-2	Fitting for coupling fuel lines with FCS Sensors	
050817013	COUPLING M14 / J 2044-3	Fitting for coupling fuel lines with FCS Sensors	
050817014	WEBASTO COUPLING QUICK RELEASE	Fitting for coupling webasto auxiliary heater fuel line with FCS Sensors	
050817017	NIPLESS ADAPTER M14/M16 F/M	Fitting for coupling fuel lines with FCS Sensors	
050817018	FUEL LINE TERMINATOR FOR FCS SENSOR M8	Fitting for coupling fuel lines with FCS Sensors	
081117001	FUEL LINE TERMINATOR FOR FCS SENSOR M14	Fitting for coupling fuel lines with FCS Sensors	
081117002	NUT M16 HOLE D12	Fitting accessory for coupling fuel lines with FCS Sensors	
081117003	M14 NUT LOCK - HOLE D10	Fitting accessory for coupling fuel lines with FCS Sensors	
084517002	D12 line expander for M16 Locking Nut	Fitting accessory for coupling fuel lines with FCS Sensors	
084517003	D10 line expander for M14 Locking Nut	Fitting accessory for coupling fuel lines with FCS Sensors	
087619001	FLAT WASHER D20x14 1,5 COPPER	Accessory for fitting for coupling fuel lines with FCS Sensors	