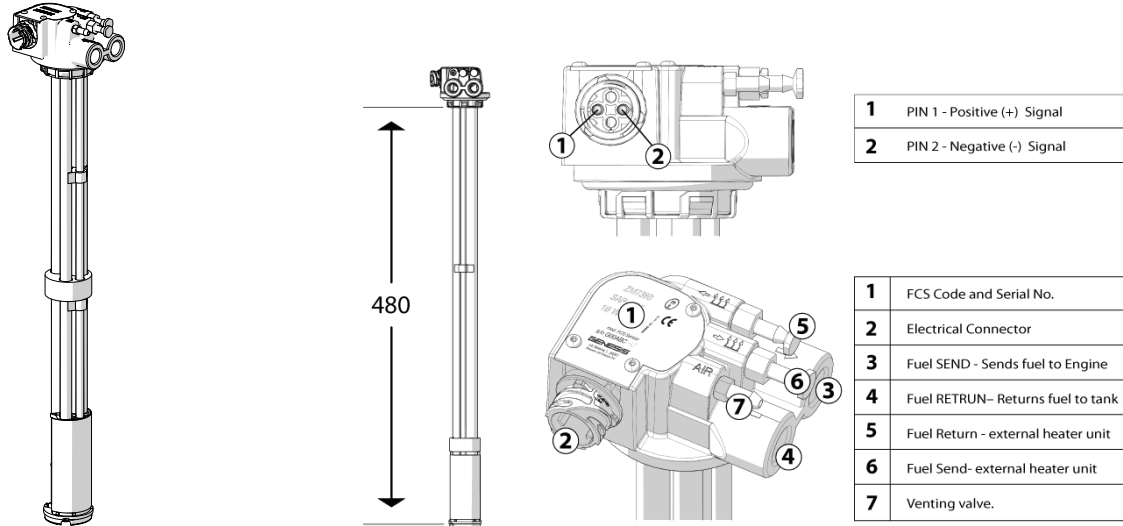


FCS SAP 480

Fuel Controller Sensor 480mm length. High-precision fuel sensor that is easily installed, and more importantly, does not require structural nor electrical modifications since it simply replaces the vehicle's original sensor. FUEL CONTROLLER sensors use a dedicated electronic control unit, the Data Hub.

Recommended applications: IVECO, SCANIA.



1	PIN 1 - Positive (+) Signal
2	PIN 2 - Negative (-) Signal

1	FCS Code and Serial No.
2	Electrical Connector
3	Fuel SEND - Sends fuel to Engine
4	Fuel RETRUN- Returns fuel to tank
5	Fuel Return - external heater unit
6	Fuel Send- external heater unit
7	Venting valve.

CODE	DESCRIPTION
214520480	FCS SAP 480

TECHNICAL DATA

SPECIFICATIONS

Main body material	Alluminium tubes with die cast head and enclosed encapsulated PCB.
Dimensions	670x90x90 (mm)
Cage/float/filter material	Acetalic Resin
General Specifications	Capacitive sensor based on dielectric constant of Automotive diesel. No moving parts, completely static. Dedicated to Fuel Controller Data HUB. Operating Temperature -40°C to 85°C. Includes temperature and inclinometer/accelerometer sensors.
Gasket material	Witon
Finishing	Anodized and powder coated

REGULATIONS

Reference standard	ECE R10-05
Certification	E49 10R-050066 CE

PACKAGING

Assembly	Sensor + Filter assembly
Package type	Carton Box
Package dimensions (cm)	800x110x100 (mm)
Package contents	1 pc in carton box
Power	Powered by FC Hub
Resolution / Bitrate	8 Bit CPU, 10 Bit resolution (1024 points)
Output	Dedicated FuelController protocol to Data Hub