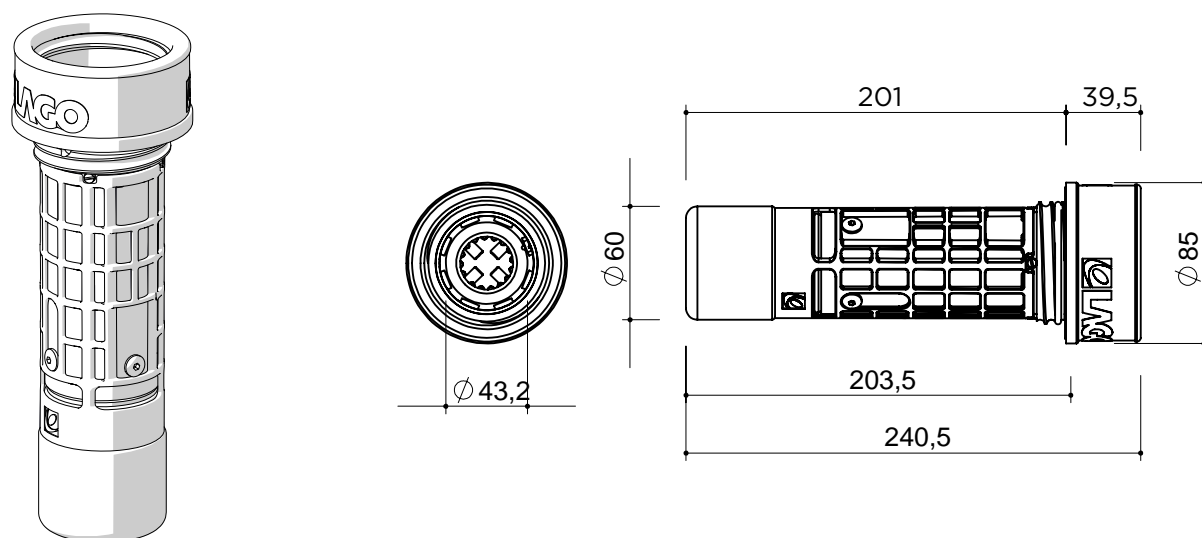


Kockon 80 tipo SCANIA "Classic"

Fuel antitheft device KOCKÒN 80 type SCANIA.

For tank necks with inner threaded tank opening \varnothing 80 mm. SCANIA: all models JOHN DEERE: 5000-6000 MASSEY FERGUSON: 4292 hd



CODE	DESCRIPTION
581620020	Kockon 80 tipo SCANIA "Classic"

TECHNICAL DATA

SPECIFICATIONS

Main body material	20/10 Steel S235JR
Cage/float/filter material	Acetalic resin and Polyethylene LD, suitable for immersion in the fuel
Gasket material	HNBR, suitable for immersion in the fuel
Finishing	Cataphoresis coated + black epoxy powder coated
Weight	1,61
Fuel Flow Rate (lt/min)	120

PACKAGING

Assembly	The product is supplied ready to use
Package type	Carton box
Package dimensions (cm)	12,5x12,5x32,4
Package contents	Anti-theft device, adapte
Multipack	6 pcs in master carton box
Multipack dimensions (cm)	39x26x33

ACCESSORIES

code	item	description	qty
050920002	Lid for KOCKÒN 80 type Scania - with locking key	Lid for KOCKÒN 80 type Scania - with locking key	
054501012	GENESIS UNIVERSAL MOUNTING TOOL	Tool to assist installation of Kockon products	
051001122	Antireflux valve extraction tool for Scania tanks	Tool needed to extract the valve which is lodged in the tank neck before fitting anti siphon device to tank	
061020001	Fuel Pistol with 32mm nozzle	Manufactured by ZVA with 120 Lt/min flow capacity	

SPARE PARTS

code	item	description	qty
050707014	GASKET SCANIA 80 & 85 MODEL KOCKONS	Mounting seal Scania/85	
584500001	ADAPTER FOR 25MM DIA. FUEL NOZZLE	Adapter for nozzle \varnothing 25 mm	