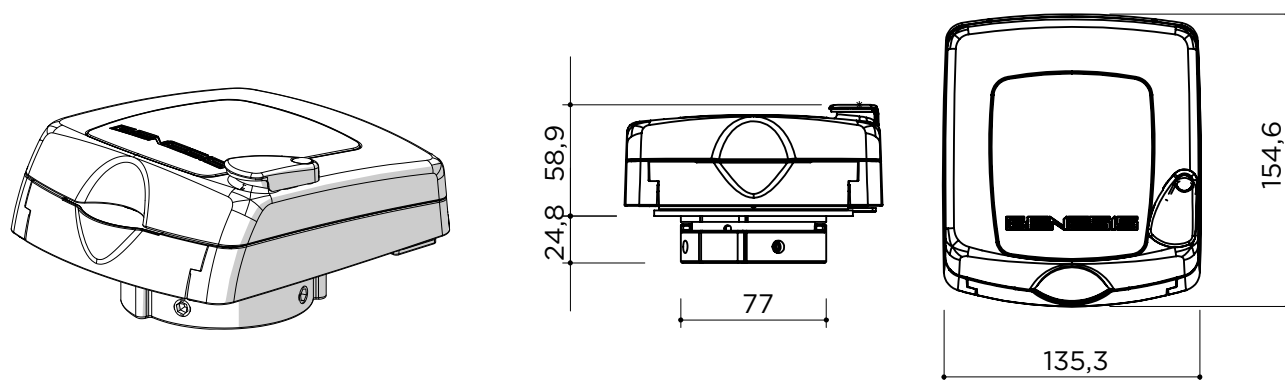


ZIPPER LOCK WIRED 105

Self closing ventilated fuel cap. Features quick mount 105 bayonet, lock, built in electronic activation switch and wire connection which can be used to trigger events upon fuel cap opening. Applicable current range 5-30V 1-100mA.

For tank necks with bayonet fitting 105mm. -DAF: all models -MAN: all models -VOLVO: all models -MERCEDES: all models -IVECO: Stralis, EuroStar, EuroTec, Trakker, EuroTrakker, EuroCargo with metal fuel tanks -RENAULT: Premium, Magnum, Midlum with metal fuel tanks -LAMBERET: reefer semi-trailer SR2 -DOOSAN plant machinery BI2P -LIEBHERR excavators, mod. 2926 - 2916 - 2914



CODE	DESCRIPTION
586753045	ZIPPER LOCK WIRED 105

TECHNICAL DATA

SPECIFICATIONS

Main body material	POM Acetalic Resin
Gasket material	NBR rubber
Weight	865 g

REGULATIONS

Reference standard	ECE R34 Part III
--------------------	------------------

PACKAGING

Package type	Carton Box
Package dimensions (cm)	
Package contents	
Multipack	12 pcs in master carton box
Multipack dimensions (cm)	

ACCESSORIES

code	item	description	qty
061020001	Fuel Pistol with 32mm nozzle	Manufactured by ZVA with 120 Lt/min flow capacity	

SPARE PARTS

code	item	description	qty
584500001	ADAPTER FOR 25MM DIA. FUEL NOZZLE	Adapter for nozzle \varnothing 25 mm	
050707029	Mounting seal Zipper/Zipper Plus 105	Gasket for devices bearing 105 mount	
056802005	LOCK COVER FOR ZIPPER FUEL CAP	Replacement part	