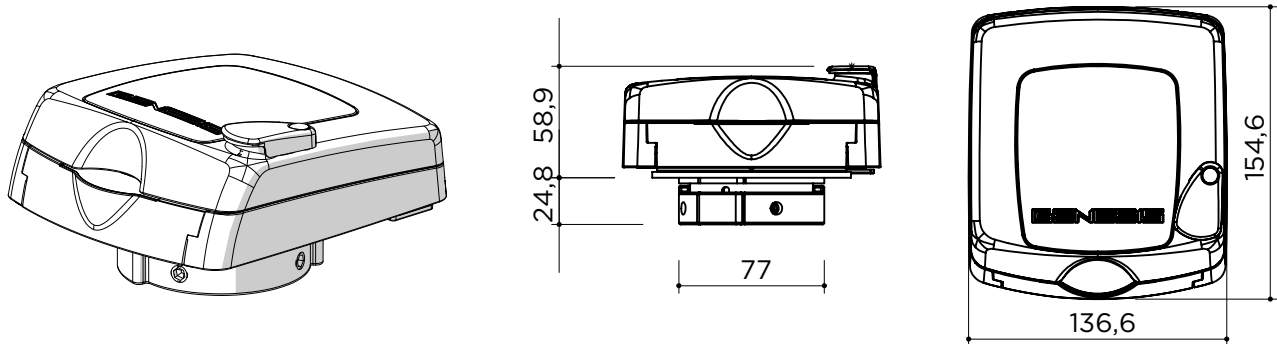


# ZIPPER LOCK WIRELESS 105

**Self closing ventilated fuel cap. Features quick mount 105mm bayonet, lock, built in electronic activation and wireless transmitter which can be used to trigger events upon fuel cap opening. Includes its own receiver unit and buzzer which warns the vehicle cabin occupant of cap opening.**

For tank necks with bayonet fitting 105mm. -DAF: all models -MAN: all models -VOLVO: all models -MERCEDES: all models -IVECO: Stralis, EuroStar, EuroTec, Trakker, EuroTrakker, EuroCargo with metal fuel tanks -RENAULT: Premium, Magnum, Midlum with metal fuel tanks -LAMBERET: reefer semi-trailer SR2 -DOOSAN plant machinery BI2P -LIEBHERR excavators, mod. 2926 - 2916 - 2914



CODE	DESCRIPTION
586756045	ZIPPER LOCK WIRELESS 105

**TECHNICAL DATA**

**SPECIFICATIONS**

Main body material	POM Acetalic Resin
Gasket material	NBR rubber
Weight	865 g

**PACKAGING**

Package type	Carton Box
Package dimensions (cm)	
Package contents	1 pc in carton box
Multipack	12 pcs in master carton box
Multipack dimensions (cm)	

**ACCESSORIES**

code	item	description	qty
077351003*	SMS ALERT UNIT FOR ZIPPER WIRELESS	Used in conjunction with ZIPPER WIRELESS, this unit provides an SMS text message to a number programmed by the user whenever ZIPPER is opened. SIM Card NOT INCLUDED	

**SPARE PARTS**

code	item	description	qty
050707029	Mounting seal Zipper/Zipper Plus 105	Gasket for devices bearing 105 mount	