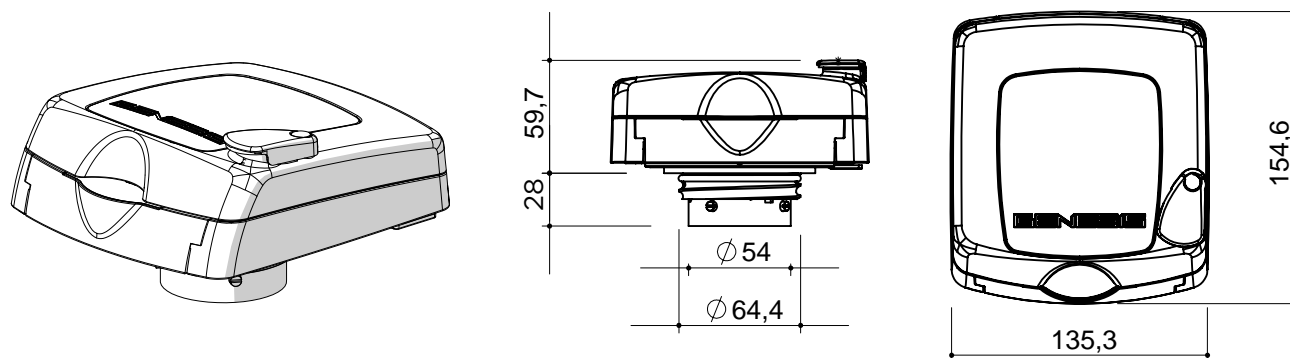


ZIPPER LOCK WIRELESS 80

Self closing ventilated fuel cap. Features quick mount 80mm thread, lock, built in electronic activation and wireless transmitter which can be used to trigger events upon fuel cap opening. Includes its own receiver unit and buzzer which warns the vehicle cabin occupant of cap opening.

For tank necks with inner threaded opening $\varnothing 80$ mm, like SCANIA. SCANIA all models JOHN DEERE: 5000-6000 MASSEY FERGUSON: 4292 h



CODE	DESCRIPTION
586756035	ZIPPER LOCK WIRELESS 80

TECHNICAL DATA

SPECIFICATIONS

Main body material	POM Acetalic Resin
Gasket material	NBR rubber
Weight	925 g

PACKAGING

Package type	Carton Box
Package dimensions (cm)	
Package contents	1 pc in carton box
Multipack	12 pcs in master carton box
Multipack dimensions (cm)	

ACCESSORIES

code	item	description	qty
077351003*	SMS ALERT UNIT FOR ZIPPER WIRELESS	Used in conjunction with ZIPPER WIRELESS, this unit provides an SMS text message to a number programmed by the user whenever ZIPPER is opened. SIM Card NOT INCLUDED	
051001122	Antireflux valve extraction tool for Scania tanks	Tool needed to extract the valve which is lodged in the tank neck before fitting anti siphon device to tank	
061020001	Fuel Pistol with 32mm nozzle	Manufactured by ZVA with 120 Lt/min flow capacity	