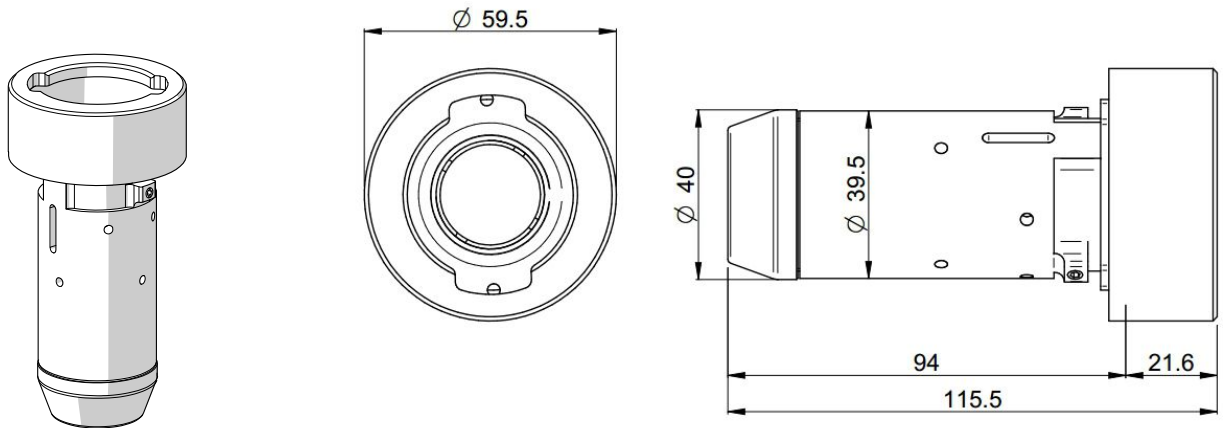


KOCKON VX DAILY

Kockon Mach II for vans / commercial vehicles.

IVECO DAILY: all models up to 2014



CODE	DESCRIPTION
824513011	KOCKON VX DAILY

TECHNICAL DATA

SPECIFICATIONS

Main body material	Aluminium
Cage/float/filter material	Acetalic resin and Polyethylene LD, suitable for immersion in the fuel
Gasket material	HNBR, suitable for immersion in the fuel
Finishing	Black Anodized
Weight	244 g
Fuel Flow Rate (lt/min)	60

PACKAGING

Assembly	The product is supplied ready to use
Package type	Carton box
Package dimensions (cm)	7x8x15
Package contents	Anti theft device, multilanguage manual
Multipack	
Multipack dimensions (cm)	

ACCESSORIES

code	item	description	qty
054501012	GENESIS UNIVERSAL MOUNTING TOOL	Tool to assist installation of Kockon products	