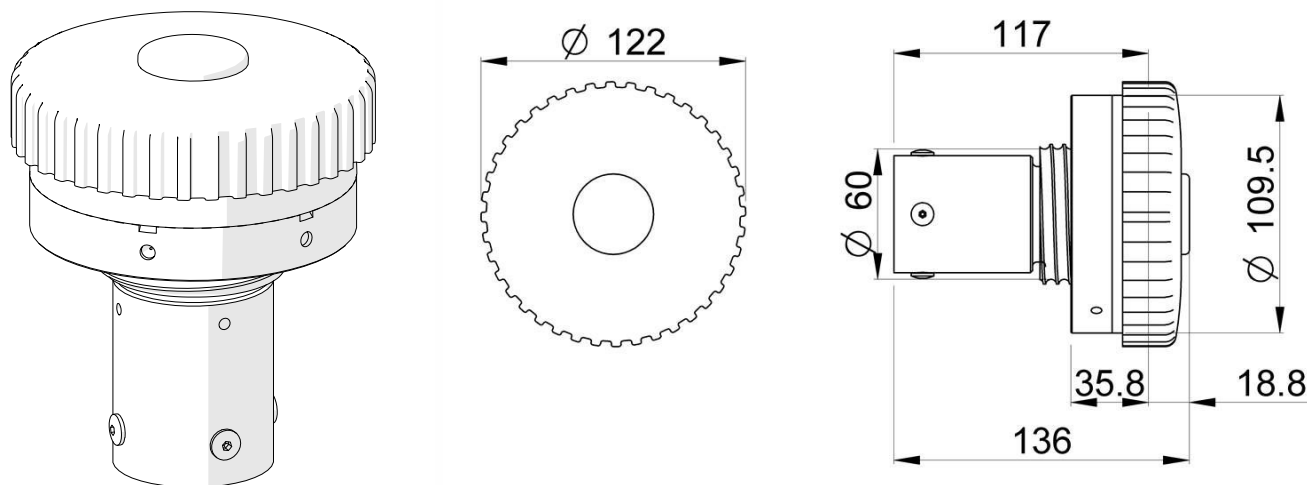


KOCKON M2 80 SB PL-CAP

Anti-siphon device SB (Short Barrel), quick mounting system and reduced diameter solid alloy body and thermoplastic cap mounting ring. Supplied with its own dedicated fuel cap.

For tanks with inner threaded opening $\varnothing 80$ mm. SCANIA: all models JOHN DEERE: 5000-6000 MASSEY FERGUSON: 4292 hd



CODE	DESCRIPTION
824511015	KOCKON M2 80 SB PL-CAP

TECHNICAL DATA

SPECIFICATIONS

Main body material	Aluminium
Cage/float/filter material	Acetalic resin and Polyethylene LD, suitable for immersion in the fuel
Gasket material	HNBR, suitable for immersion in the fuel
Finishing	Anodized
Weight	1150 g
Fuel Flow Rate (lt/min)	120

PACKAGING

Assembly	The product is supplied ready to use
Package type	Carton box
Package dimensions (cm)	120x290x120 mm
Package contents	Anti theft device, lid, adapter, multilanguage manual
Multipack	6 pcs in master carton box
Multipack dimensions (cm)	390x260x330 mm

ACCESSORIES

code	item	description	qty
786015100	PL-CAP KIT FOR M2 BASE MODULE	Upgrade Kit which fits on Kockon Mach II base module. The kit is composed of an acetalic resin cap mounting ring which fixes using 4 screws (supplied with kit) and an o-ring which seats the cap mounting ring onto the upper plate of the Kockon. Includes a low profile locking cap with 105 type 2 point bayonet mount and bunjee chain allowing cap to dangle when open.	
786015101	XXL-CAP KIT W/LOCK FOR M2 XL BASE MODULE	Upgrade Kit which fits on Kockon Mach II base module. The kit is composed of a extra-extra low thermoplastic cap mounting ring which fixes using 4 screws (supplied with kit) and a dedicated gasket which seats the cap mounting ring onto the upper plate of the Kockon. Includes a low profile locking cap with automotive type 2 point bayonet mount and locking key.	

KOCKON M2 80 SB PL-CAP

ACCESSORIES

code	item	description	qty
786015102	XXL-CAP KIT FOR M2 XL BASE MODULE	Upgrade Kit which fits on Kockon Mach II base module. The kit is composed of a extra-extra low thermoplastic cap mounting ring which fixes using 4 screws (supplied with kit) and a dedicated gasket which seats the cap mounting ring onto the upper plate of the Kockon. Includes a low profile locking cap with automotive type 2 point bayonet mount, without lock.	
784515101	UNI-CAP KIT FOR M2 BASE MODULE	Upgrade kit for Kockon Mach II base modules. Consists of an aluminium high profile cap mounting ring and o ring seal for seating onto the upper plate of the Kockon base module. Made to allow use of the majority of original vehicle fuel caps which would normally not fit on Mach II Kockons due to their height.	
784516200	BE4P KIT FOR M2 BASE MODULE	Upgrade Kit which fits on Kockon Mach II base module. The kit is composed of an aluminium 4 point bayonet cap mounting ring which fixes using 4 screws (supplied with kit) and an o-ring which seats the cap mounting ring onto the upper plate of the Kockon. It allows use of the original die cast bayonet cap.	
786010010	ZIP SAFETY CAP UPGRADE KIT	Upgrade kit for Kockon Mach II base modules. Consists of a self closing ventilated fuel cap without lock which can be fitted through a rapid mounting procedure by the end user without having to remove the Kockon from its installed position.	
786010011	ZIP LOCK SAFETY CAP UPGRADE KIT	Upgrade kit for Kockon Mach II base modules. Consists of a self closing ventilated fuel cap with lock which can be fitted through a rapid mounting procedure by the end user without having to remove the Kockon from its installed position.	
786010019	ZIPPER WIRED UPGRADE KIT	Upgrade kit for Kockon Mach II base modules. Consists of a self closing ventilated fuel cap with a built in electronic activation switch and wire connection which can be used to trigger events upon fuel cap opening. Can be fitted through a rapid mounting procedure by the end user without having to remove the Kockon from its installed position.	
786010020	ZIPPER LOCK WIRED UPGRADE KIT	Upgrade kit for Kockon Mach II base modules. Consists of a self closing ventilated fuel cap with lock with a built in electronic activation switch and wire connection which can be used to trigger events upon fuel cap opening. Can be fitted through a rapid mounting procedure by the end user without having to remove the Kockon from its installed position.	
786010029	ZIPPER WIRELESS UPGRADE KIT	Upgrade kit for Kockon Mach II base modules. Consists of a self closing ventilated fuel cap without lock with a built in electronic activation switch and wireless transmitter which can be used to trigger events upon fuel cap opening. Includes its own receiver unit and buzzer which warns the vehicle cabin occupant of cap opening. Can be fitted through a rapid mounting procedure by the end user without having to remove the Kockon from its installed position.	
786010030	ZIPPER LOCK WIRELESS UPGRADE KIT	Upgrade kit for Kockon Mach II base modules. Consists of a self closing ventilated fuel cap with lock with a built in electronic activation switch and wireless transmitter which can be used to trigger events upon fuel cap opening. Includes its own receiver unit and buzzer which warns the vehicle cabin occupant of cap opening. Can be fitted through a rapid mounting procedure by the end user without having to remove the Kockon from its installed position.	
794520001	ADAPTER M2 KOCKON 80 TO CATERPILLAR	Adapter ring designed to fit 3 point bayonet 120mm tank neck commonly found on work equipment and agricultural machinery. THIS IS AN ADAPTER, it requires a Kockon SB 80 (774526001) + related cap option (78.....).	
054501012	GENESIS UNIVERSAL MOUNTING TOOL	Tool to assist installation of Kockon products	
051001122	Antireflux valve extraction tool for Scania tanks	Tool needed to extract the valve which is lodged in the tank neck before fitting anti siphon device to tank	
061020001	Fuel Pistol with 32mm nozzle	Manufactured by ZVA with 120 Lt/min flow capacity	

SPARE PARTS

code	item	description	qty
050920001	REPLACEMENT FUEL CAP 105 BAYONET	Locking Cap for 105 bayonet mounts.	
050707014	GASKET SCANIA 80 & 85 MODEL KOCKONS	Mounting seal Scania/85	

KOCKON M2 80 SB PL-CAP

SPARE PARTS

code	item	description	qty
584500002	M2 ADAPTER FOR 25MM DIA. FUEL NOZZLE	M2 Adapter for nozzle Ø 25 mm.	