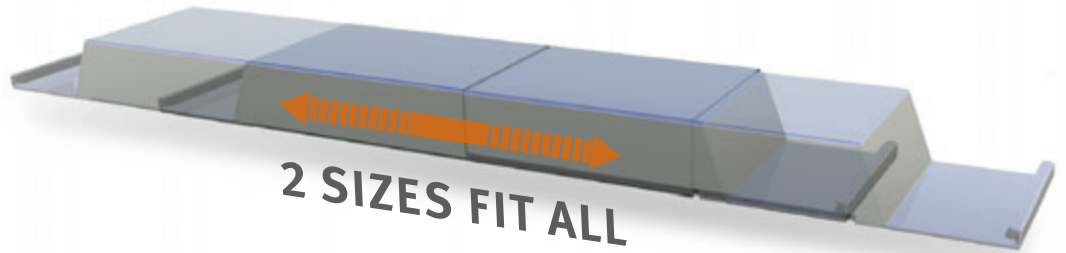
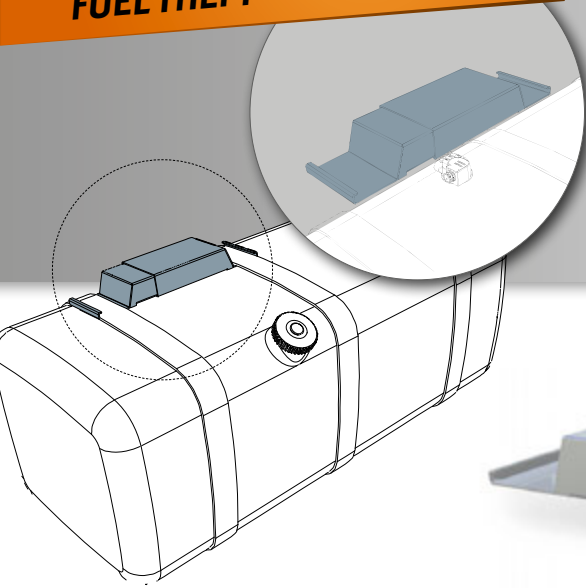


SENSARMOUR

Fuel sensor access protection armor



**DOUBLE UP
ON PROTECTION AGAINST
FUEL THEFT**

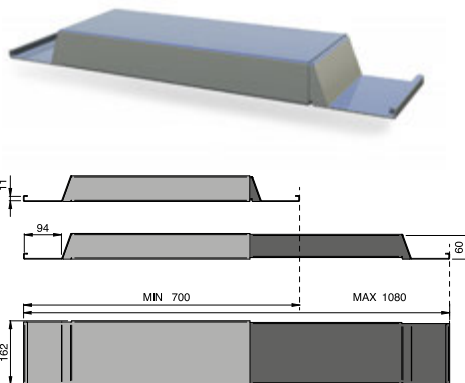


SIMPLE & EFFECTIVE

Sensarmour is dedicated to protecting the fuel sensor opening of the tank on heavy vehicles, from unauthorized access. It's designed to be fitted quickly and without the need for additional hardware or modifications: it's simply held in place by the existing tank retention straps. Once Sensarmour is installed it is no longer possible to access the fuel inside the tank through the fuel sensor opening or fuel lines.

Sensarmour is made of 3mm gauge aluminium with multiple longitudinal bends to ensure maximum strength and rigidity against deliberate damage. The smart telescopic geometry ensures that two single sizes fit the vast majority of installation conditions eliminating the need to cut and/or bend sheet aluminium or steel parts during installation. The result therefore proves secure, neat and unambiguously effective.

Sensarmour must be installed on an empty tank, making sure the tank is secured by other temporary means when loosening the retention straps. Retention straps must be loosened only one at a time.



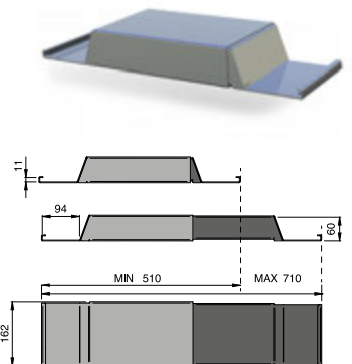
SENSARMOUR LARGE

58 45 96 001 SENSARMOUR LARGE

Recommended Applications:

All tanks where distance between the straps adjacent to the sender opening are 700 to 1080 mm apart (dimension measured external to strap)

READY TO USE



SENSARMOUR SMALL

58 45 96 002 SENSARMOUR SMALL

Recommended Applications:

All tanks where distance between the straps adjacent to the sender opening are 510 to 710 mm apart (dimension measured external to strap)

READY TO USE



STROPOL

High security drain plug
for heavy vehicle tanks

**A SMALL PACKAGE
WHICH HOLDS BIG VALUE**

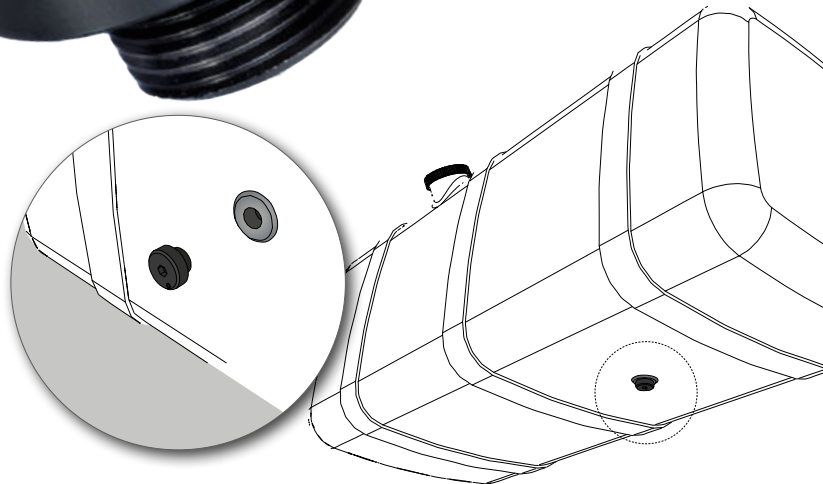


SMALL BUT BIG!

Stropol is a small, highly engineered device which is dedicated to the big job of protecting the main drain hole of tanks of heavy vehicles against removal and access by non authorized operators.

Stropol is made of precision machined aluminium components and simply replaces the original drain nut. Once tightened through clockwise rotation using a hexagon allen key, the crown of Stropol will rotate freely in the anti clockwise sense, making removal impossible for non authorized operators.

Stropol must be installed on an empty tank and it is equipped with the necessary attributes to allow authorized operators to drain the tank for maintenance purposes.



STROPOL M24



58 45 95 003 STROPOL M24

Recommended Applications:
All tanks where drain hole thread measures M24

READY TO USE



STROPOL M22



58 45 95 002 STROPOL M22

Recommended Applications:
All tanks where drain hole thread measures M22

READY TO USE



STROPOL M18



58 45 95 001 STROPOL M18

Recommended Applications:
All tanks where drain hole thread measures M18

READY TO USE



STROPOL 3/4 BS



58 45 95 004 STROPOL 3/4 BS

Recommended Applications:
All tanks where drain hole thread measures 3/4" gas pipe thread

READY TO USE

