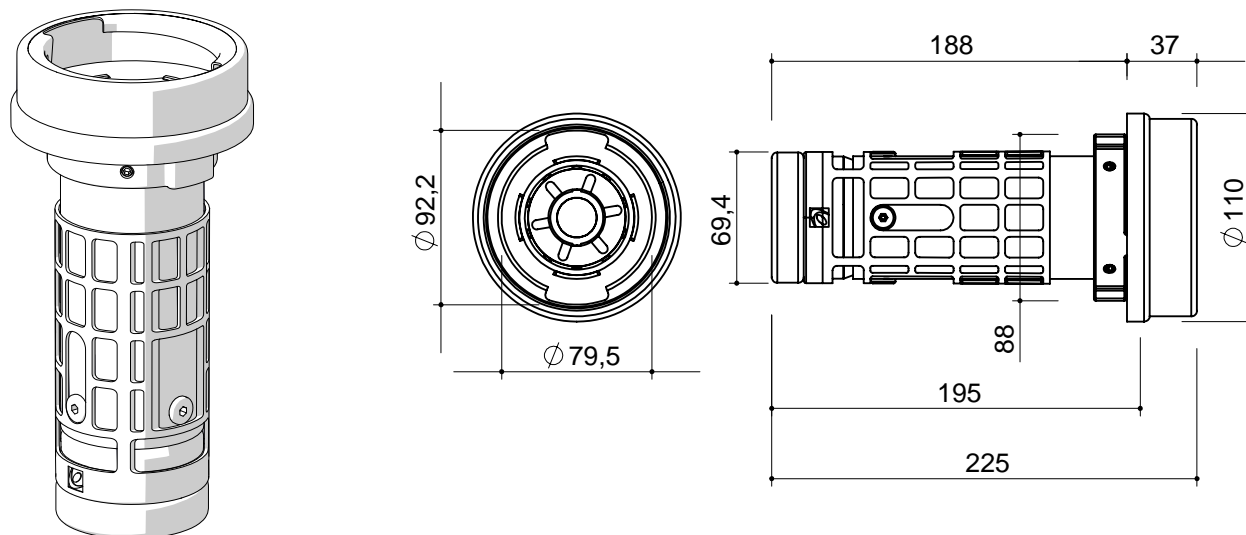


KOCKON 105 UNIVERSAL "CLASSIC"

Fuel antitheft device KOCKON 105 UNIVERSAL CLASSIC.

For tank necks with bayonet fitting 105mm. -DAF: all models -MAN: all models -VOLVO: all models -MERCEDES: all models -IVECO: Stralis, EuroStar, EuroTec, Trakker, EuroTrakker, EuroCargo with metal fuel tanks -RENAULT: Premium, Magnum, Midlum with metal fuel tanks -DOOSAN plant machinery BI2P -LIEBHERR excavators, mod. 2926 - 2916 - 2914



CODE	DESCRIPTION
580320045	KOCKON 105 UNIVERSAL "CLASSIC"

TECHNICAL DATA

SPECIFICATIONS

Main body material	20/10 Steel S235JR
Cage/float/filter material	Acetalic resin and Polyethylene LD, suitable for immersion in the fuel
Gasket material	HNBR, suitable for immersion in the fuel
Finishing	Cataphoresis coated + black epoxy powder coated
Weight	2,1 kg
Fuel Flow Rate (lt/min)	120

PACKAGING

Assembly	The product is supplied ready to use
Package type	Carton box
Package dimensions (cm)	12,5x12,5x32,4
Package contents	Anti-theft device, adapter, multilanguage manual
Multipack	6 pcs in master carton box
Multipack dimensions (cm)	39x26x33

ACCESSORIES

code	item	description	qty
050920001	REPLACEMENT FUEL CAP 105 BAYONET	Locking Cap for 105 bayonet mounts.	
054501012	GENESIS UNIVERSAL MOUNTING TOOL	Tool to assist installation of Kockon products	
061020001	Fuel Pistol with 32mm nozzle	Manufactured by ZVA with 120 Lt/min flow capacity	

SPARE PARTS

code	item	description	qty
584500001	ADAPTER FOR 25MM DIA. FUEL NOZZLE	Adapter for nozzle Ø 25 mm	
050707028	Insertion gasket for KOCKON 105	Insertion gasket for KOCKON 105	
050707011	GASKET KOCKON 105 UNIVERSAL	Mounting seal 105	